

HOSE ASSEMBLY REQUIREMENTS

CUSTOMER HOSE ASSEMBLY REQUEST FORM

Please fill in all required fields for hose assembly requirements and return to sales@taipan.com.au

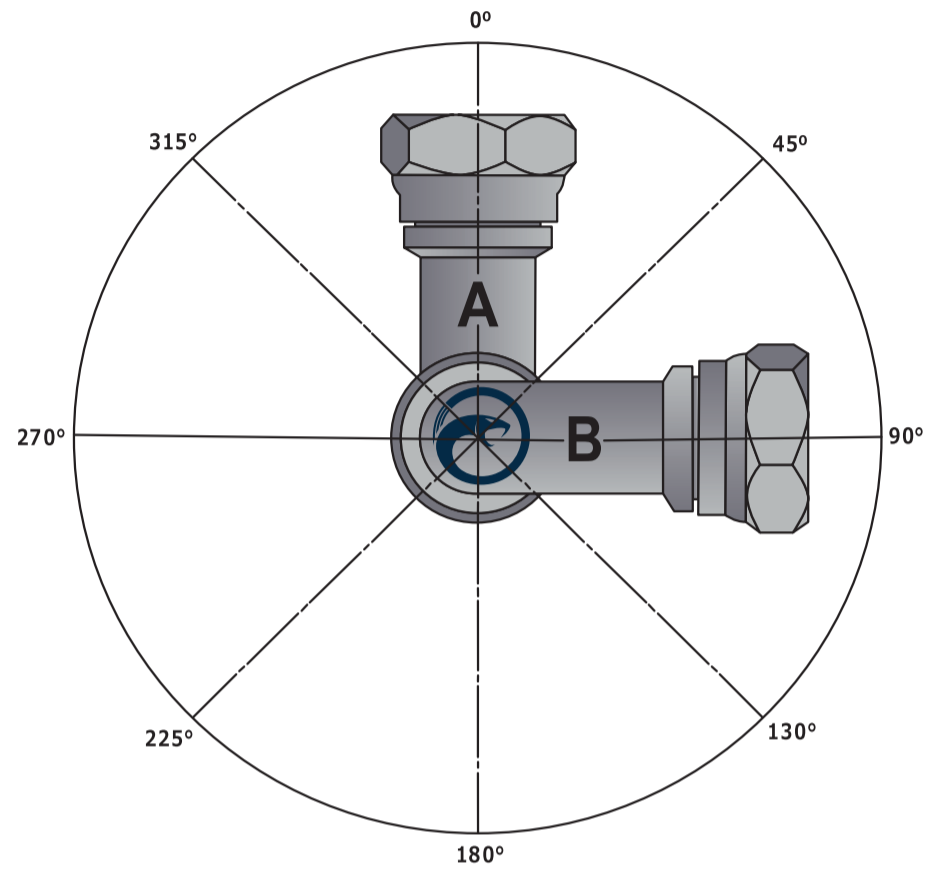
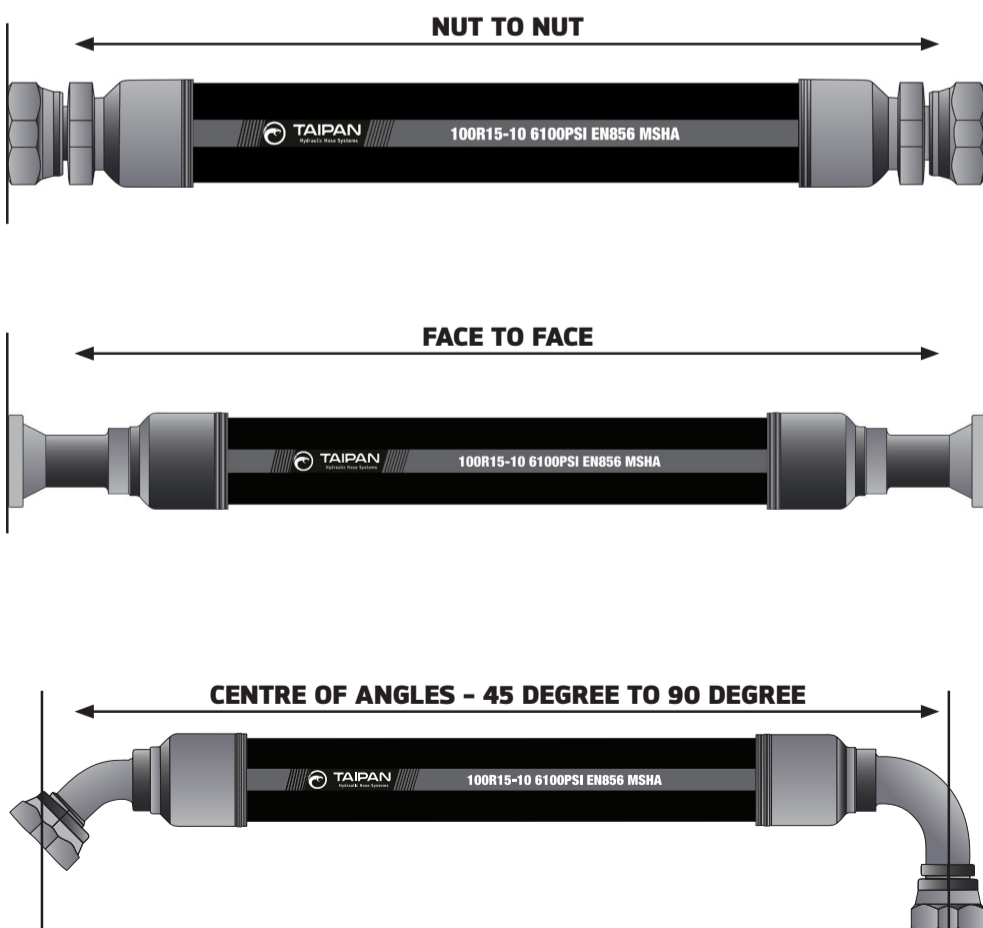
Customer Details	
Customer Name	
Date	
Requested By	
Purchase Order No.	

Hose Assembly Details	
Hose Type	
Hose Tail Part Number A	
Hose Tail Part Number B	
Cut Length (MM) If applicable	
Overall Length (MM) Circle measuring style below	
Assembly Qty	

**Note - Standard assembly is to have 90 degree elbows with natural curve of hose.*

Hose Protection & Testing - Please Circle	
Scuff Cover	YES / NO
Safety Sleeve/ Burst Protection	YES / NO
Spiral Guard	YES / NO
Static Testing	YES / NO

Determine Overall Length - Please Circle



HOW TO WORK OUT ANGLE OFFSET

Hold hose tail A facing upwards at 0 degrees. Turn hose tail B clockwise to desired offset to represent the degree angle.

Fitting Degrees - Refer to Diagram Above	
Fitting A	
Fitting B	

Additional Comments/ Notes

OFFICE USE ONLY - TAIPAN STAFF MEMBER TO COMPLETE	
Verified	
Date	
Taipan Staff Member Name	
Signature	